

V A T 12.5%
EXTRA

PRICES ARE SUBJECT
TO CHANGE
WITHOUT NOTICE

Mercantile Electric Corporation

154, Lohar Chawl, K. Sharma Marg, Lohar Chawl, Mumbai - 400 002.
E Mail : mec1962@hotmail.com Website : www.mercantileelectric.com

Phone :
2208 9295
2206 2688
Telefax :
2206 0951
Intercom :
*600

Dt. : 18-04-2013

XTRATM

Less : %

NEW

SAFEX PVC CHANNELS (Cable Ducts)

SFX

| Sr. No. | Channels Size Hight X Width (mm ²) | TYPE - B / II Price Per Meter | Packing Per Box Meter |
|---------|--|-------------------------------|-----------------------|
| 1 | 15 X 15 | 24.00 | 200 |
| 2 | 25 X 25 | 38.00 | 100 |
| 3 | 30 X 25 | 41.00 | 90 |
| 4 | 40 X 30 | 52.00 | 100 |
| 5 | 45 X 25 | 50.00 | 100 |
| 6 | 45 X 30 | 55.00 | 90 |
| 7 | 45 X 45 | 68.00 | 80 |
| 8 | 45 X 60 | 83.00 | 60 |
| 9 | 60 X 25 | 62.00 | 100 |
| 10 | 60 X 45 | 72.00 | 70 |
| 11 | 60 X 60 | 92.00 | 50 |
| 12 | 75 X 25 | 76.00 | 60 |
| 13 | 75 X 45 | 102.00 | 50 |
| 14 | 75 X 60 | 115.00 | 40 |
| 15 | 75 X 75 | 142.00 | 35 |
| 16 | 100 X 75 | 240.00 | 25 |
| 17 | 100 X 100 | 271.00 | 20 |

TECHNICAL PROPERTIES

STANDARD COLOUR : GREY
STANDARD LENTH : 1 Mtr.

Mechanical :-

Tensile Strength - 390 kg. / cm²
Izod Impact Strength - 7 kg. cm / cm

Electrical :-

Dielectric Strength - 36Kv / mm
Specific Resistance - 6.1 x 10¹⁴ ohm cm

Thermal :-

Flammability - UL94V-o
Max. Working Temp. - 70°C

Made of rigid Poly Vinyl Chloride (PVC) of high Tensile & Compressive strength.

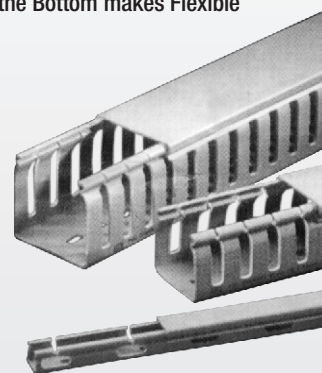
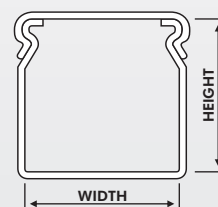
Non Brittle, Non Inflammable and also Warp Proof.

Fast & Efficient locking guaranteed because of specially designed Duct & Cover.

Slotting Patterns prevents wire from popping up, While removing cover.

Elongated Slots at the Bottom makes Flexible Mounting Possible.

Approved By :-



ACCESSORIES

| Cover (Top) | Price Rs. |
|-------------|-----------|
| 25 mm | 25.00 |
| 45 mm | 35.00 |
| 60 mm | 50.00 |
| 75 mm | 65.00 |
| 100 mm | 75.00 |

AUTHORISED DEALERS :

dowell's
LUGS
GLANDS
TOOLS

COMET
INDUSTRIES
COSMOS
Cable Glands

jainson
Crimping Tools
SFX
P.V.C. Channel

XTRA
Nylon Cable Ties / S.S. Cable Tie (SS)
PG Glands / Tools / Lugs

CEE
Plug Socket
SURAJ
STRIP CONNECTOR

Control System
Proximity Switch &
Photocell Sensor

CRC
DC 2-26